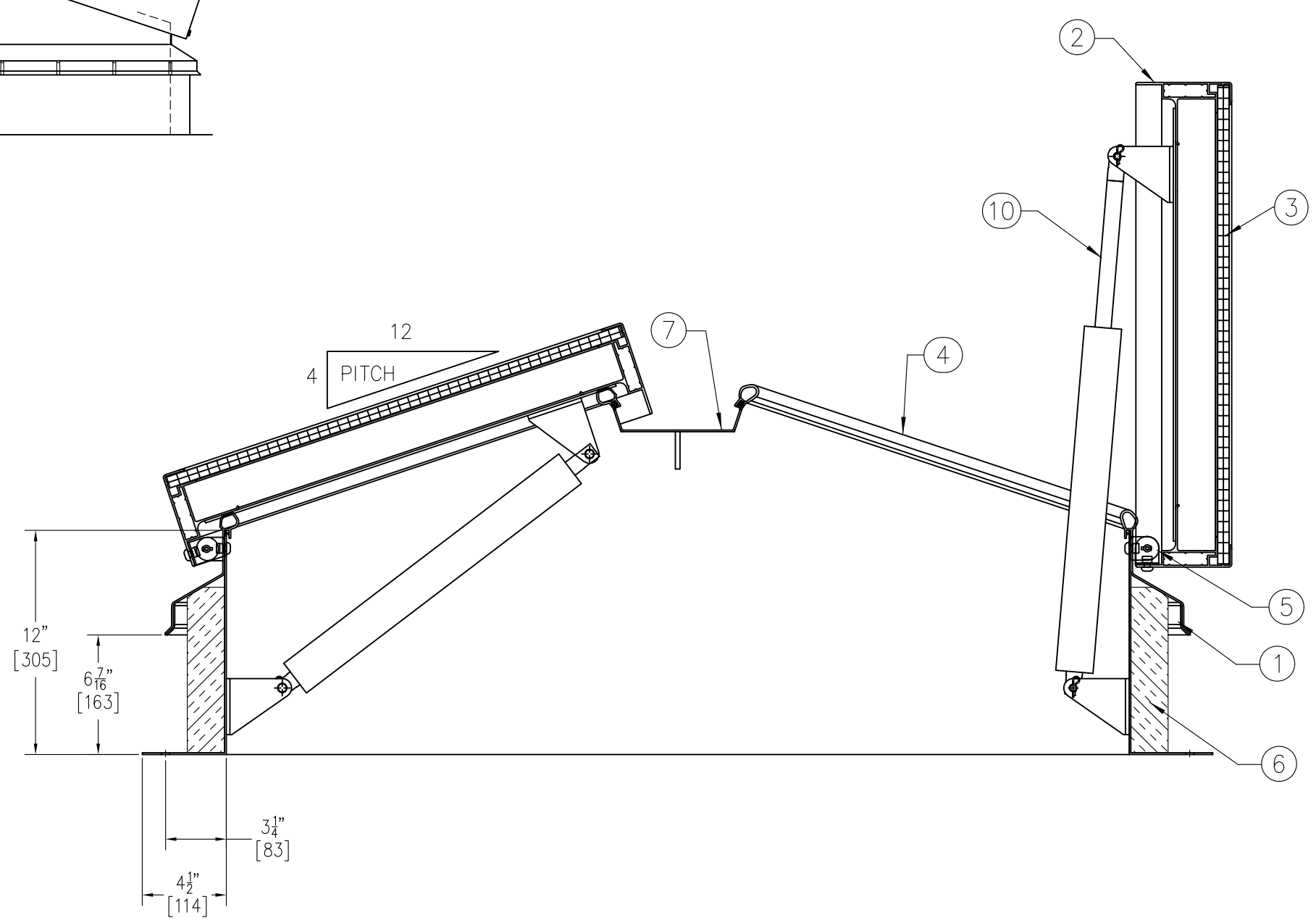
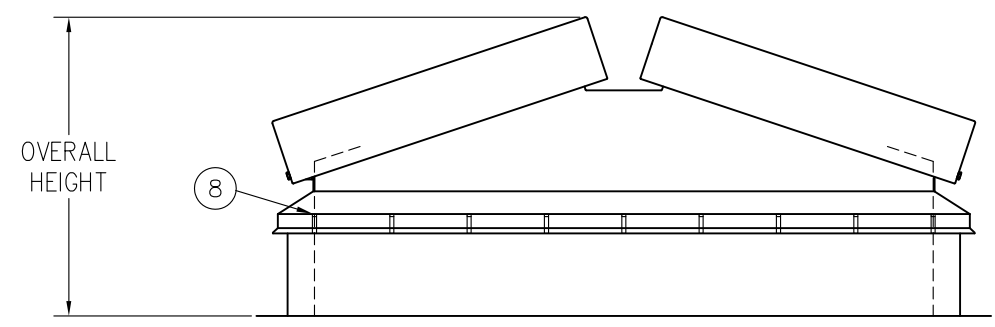


NOTE

- COVERS SHALL OPEN AGAINST 10 PSF (49 KG/M²) SNOW/WIND LOAD
- VENT ASSEMBLY RATED FOR 40 PSF (195 KG/M²) LIVE LOAD
- SLOPED COVER DESIGN MEETS INTERNATIONAL BUILDING CODE REQUIREMENTS (2012 IBC 2610.3)



- SPECIFICATIONS**
- FRAME 11GA ALUMINUM W/ CAPFLASHING (CORNERS FULLY WELDED)
 - EXTRUDED ALUMINUM COVER FRAME
 - TRANSLUCENT STRUCTURED POLYCARBONATE GLAZING
 - GASKET (ALL AROUND FRAME)
 - PINTLE HINGE
 - 2" CURB INSULATION – POLYISOCYANURATE (SUPER TUFF-R)
 - FIXED CENTER DRAIN
 - BILCLIP® FLASHING SYSTEM
 - JUNCTION BOX
 - ACTUATOR – 24VDC

- NOTES**
- THIS PRODUCT MAY BE INSTALLED ON EITHER A FLAT OR SLOPING ROOF. WHEN INSTALLED ON A SLOPE, THE HINGE SIDE MUST RUN PARALLEL WITH THE SLOPE. IF SLOPE EXCEEDS 30°, ADVISE FACTORY FOR MODIFICATION.
 - FULL SPECIFICATIONS ARE AVAILABLE ON WEBSITE: WWW.BILCO.COM

SHOP FINISH:
 COVER: MILL FINISH
 FRAME: MILL FINISH
 HARDWARE: ZINC PLATED & CHROMATE SEALED

CUSTOMER:

P.O. N°

JOB:

SALES REP:

MANUFACTURERS OF DOORS FOR SPECIAL SERVICES
Bilco® THE BILCO COMPANY
 NEW HAVEN, CONNECTICUT 06505

**DOUBLE LEAF ROOF VENTILATOR
 TYPE LV-50RMA**

QTY	TYPE	SIZE WIDTH x LENGTH
<input type="text"/>	LV-50RMA	_____ x _____ HINGE SIDE

Web Site: www.bilco.com

THIS DRAWING IS THE PROPERTY OF THE BILCO COMPANY AND INCORPORATES INFORMATION WHICH IS PROPRIETARY. PUBLICATION AND/OR PUBLIC DISTRIBUTION IN WHOLE OR IN PART IS EXPRESSLY PROHIBITED WITHOUT THE PRIOR WRITTEN CONSENT OF THE BILCO COMPANY. THE INFORMATION CONTAINED HEREIN REMAINS THE PROPERTY OF THE BILCO COMPANY. ALL RIGHTS RESERVED.